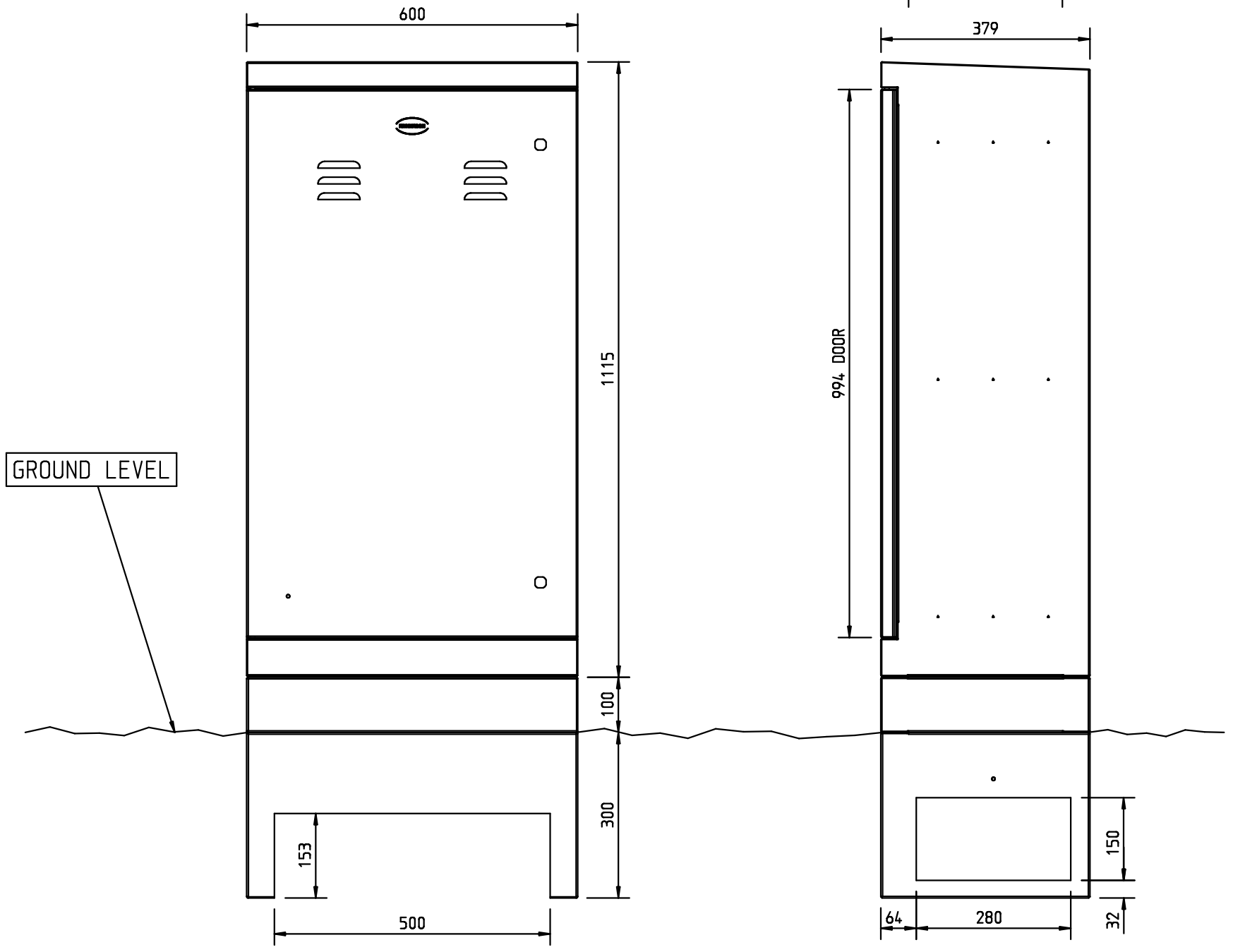
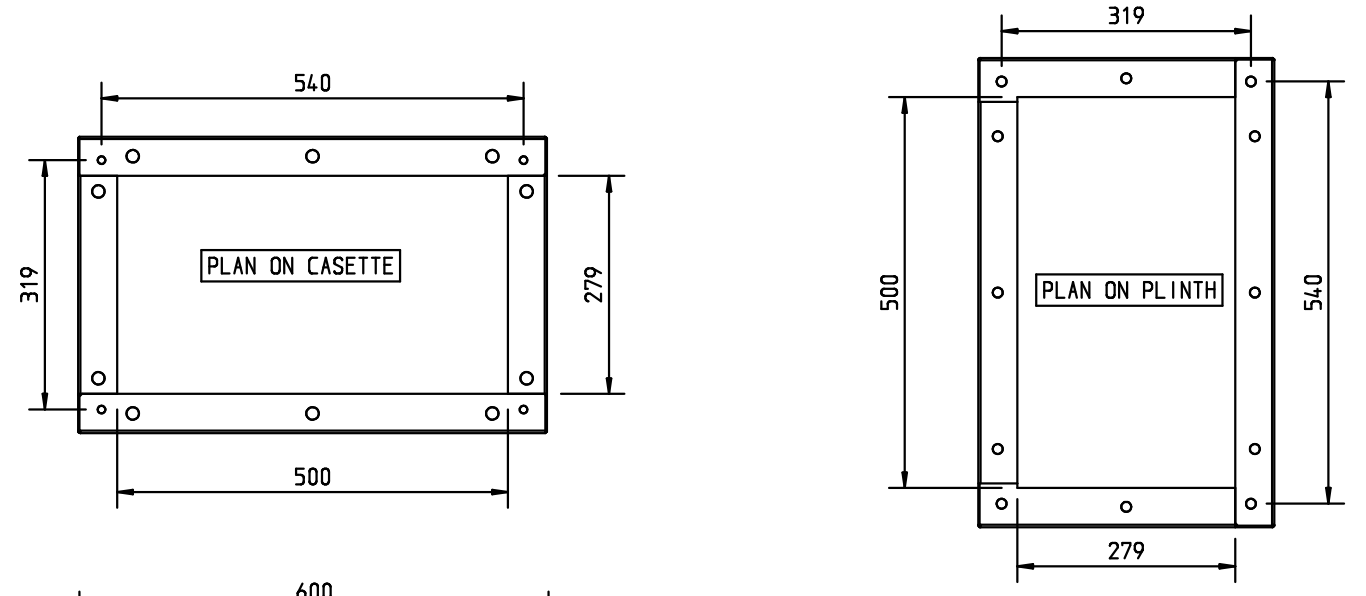
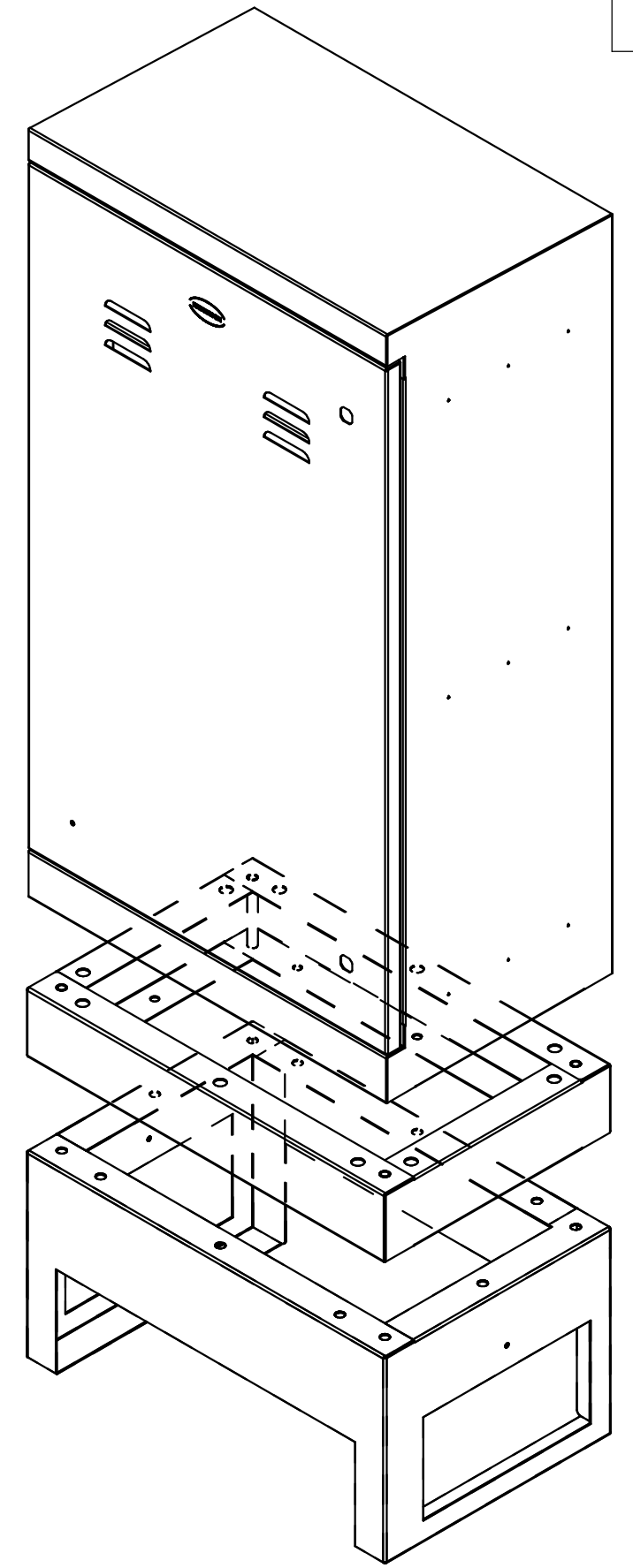


Cabinet: 1.5mm 304 SS
 Cassette: 2mm 304 SS
 Plinth: 2mm 304 SS



CABINET WEIGHT: 33KG
 CASSETTE WEIGHT: 5KG
 PLINTH WEIGHT: 8KG

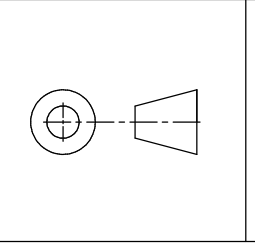


DRAWN	Josh Eastham	DATE	23 . 12 . 2015
CHECKED	Mark Blease	DATE	23 . 12 . 2015
APPROVED	Mark Blease	DATE	23 . 12 . 2015

ISSUE	DATE	MOD. NO.	DRN



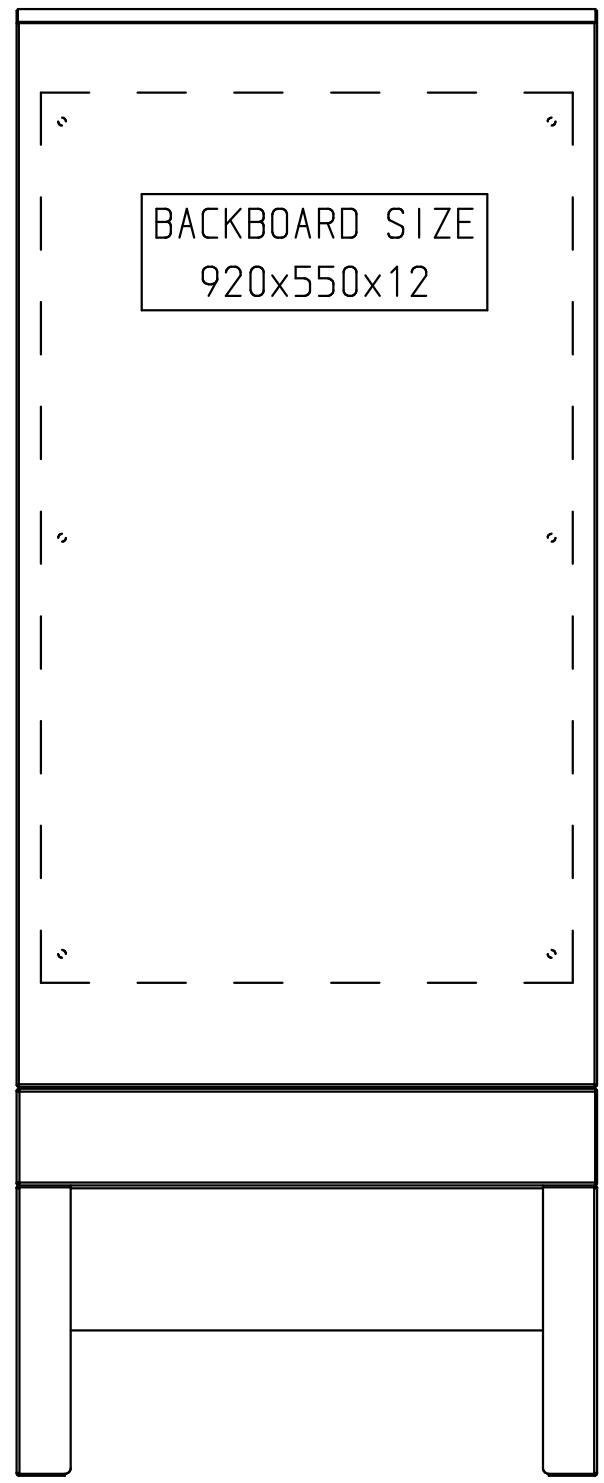
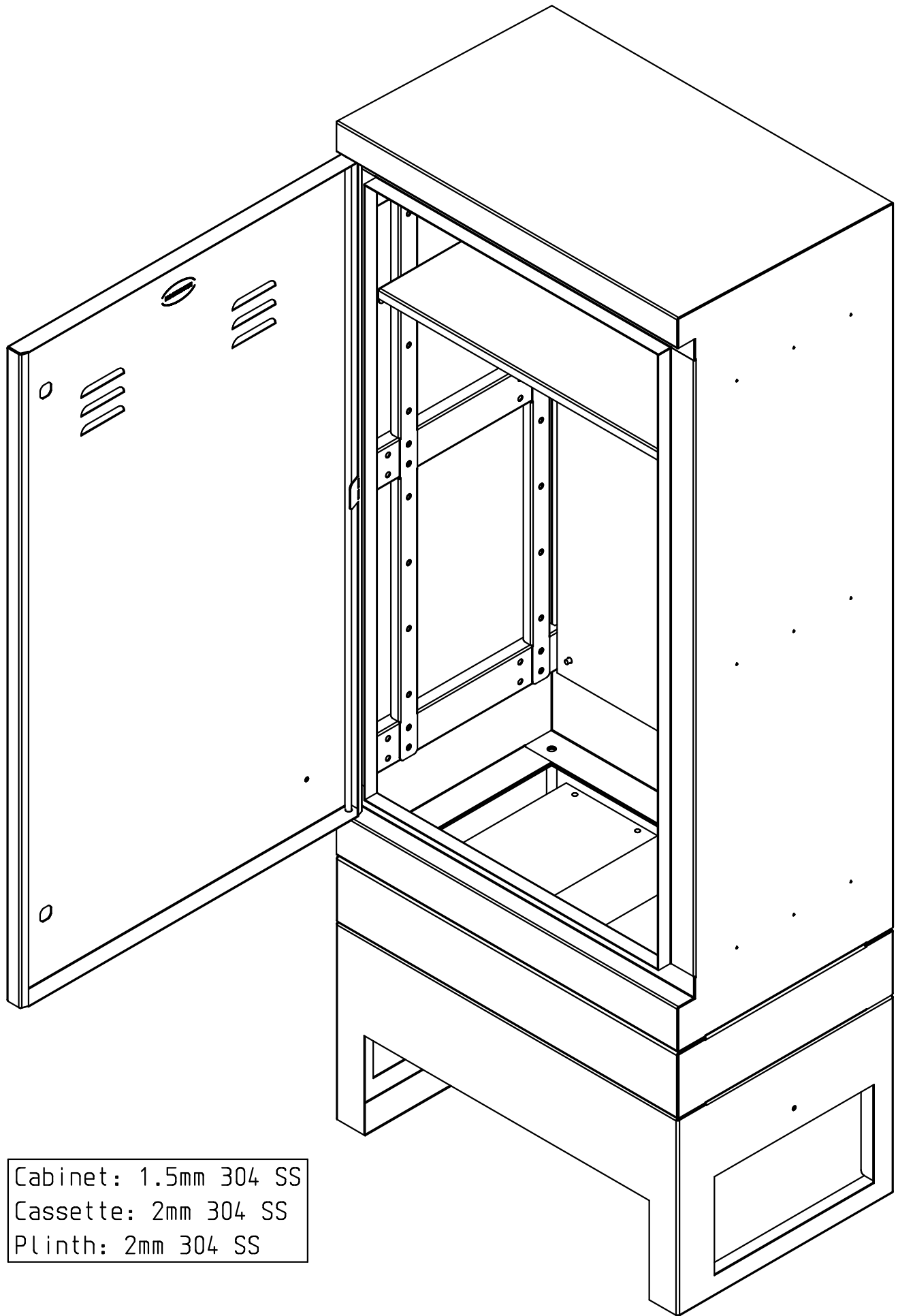
TOLERANCES
 WHOLE NUMBERS +/- 0.5
 1 DECIMAL PLACE +/- 0.2
 HOLES +/- 0.15
 UNLESS OTHERWISE STATED
 ALL OUTSIDE SIZES



MATERIAL
 Stainless Steel

FINISH
 As Job Card

TITLE RB600 Passively Safe Cabinet GA			
SCALE	DRAWING NO.	[SHEET]	ISSUE
NTS	S 9559	1	-



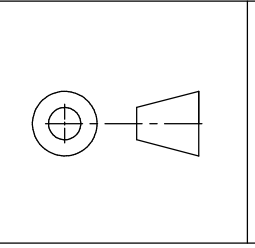
Cabinet: 1.5mm 304 SS
 Cassette: 2mm 304 SS
 Plinth: 2mm 304 SS

DRAWN	Josh Eastham	DATE	23 . 12 . 2015
CHECKED	Mark Blease	DATE	23 . 12 . 2015
APPROVED	Mark Blease	DATE	23 . 12 . 2015

ISSUE	DATE	MOD. NO.	DRN



TOLERANCES
 WHOLE NUMBERS +/- 0.5
 1 DECIMAL PLACE +/- 0.2
 HOLES +/- 0.15
 UNLESS OTHERWISE STATED
 ALL OUTSIDE SIZES



MATERIAL
 Stainless Steel

FINISH
 As Job Card

TITLE RB600 Passively Safe Cabinet GA			
SCALE	DRAWING NO.	[SHEET]	ISSUE
NTS	S 9559	2	-