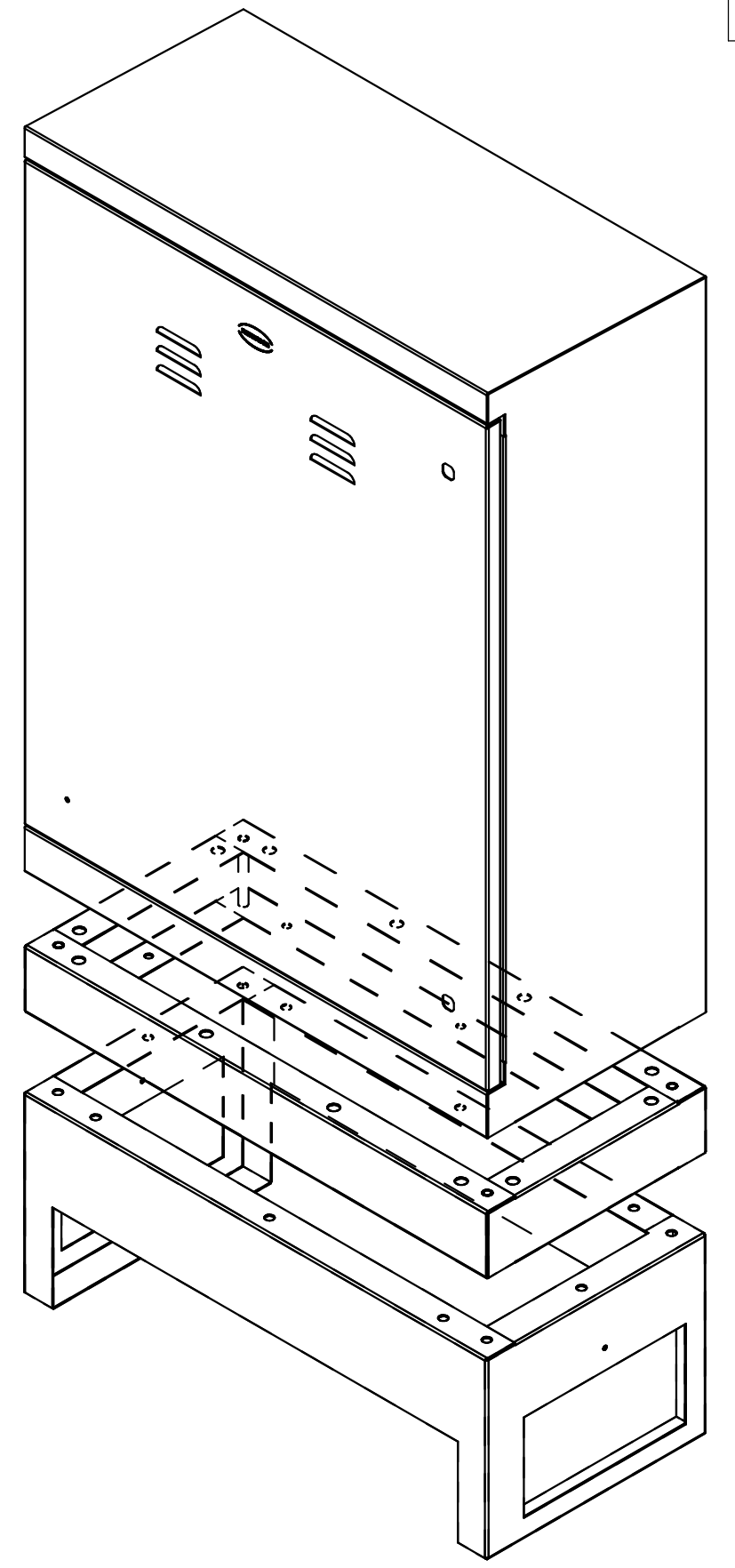


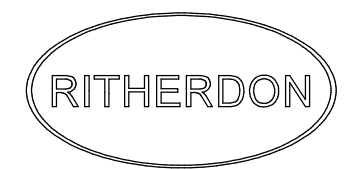
CABINET: 1.5mm 304 SS
 CASSETTE: 2mm 304 SS
 PLINTH: 2mm 304 SS

CABINET: 36KG
 CASSETTE: 6KG
 PLINTH: 9KG



DRAWN	Josh Eastham	DATE	23 . 12 . 2015
CHECKED	Mark Blease	DATE	23 . 12 . 2015
APPROVED	Mark Blease	DATE	23 . 12 . 2015

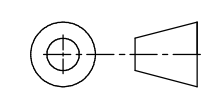
TITLE RB800 Passively Safe Cabinet			
SCALE	DRAWING NO.	[SHEET]	ISSUE
NTS	S 9560	1	-



COPYRIGHT IS STRICTLY RESERVED

TOLERANCES
 WHOLE NUMBERS +/- 0.5
 1 DECIMAL PLACE +/- 0.2
 HOLES +/- 0.15
 UNLESS OTHERWISE STATED

ALL OUTSIDE SIZES



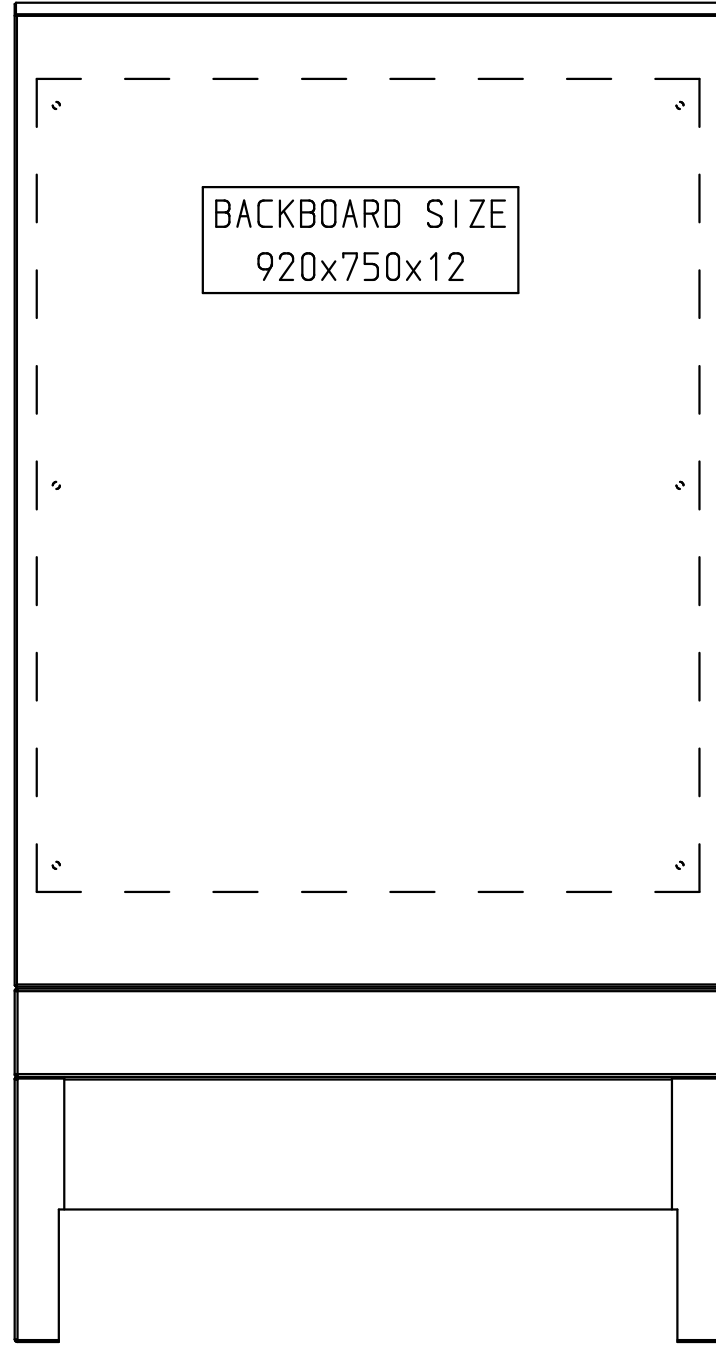
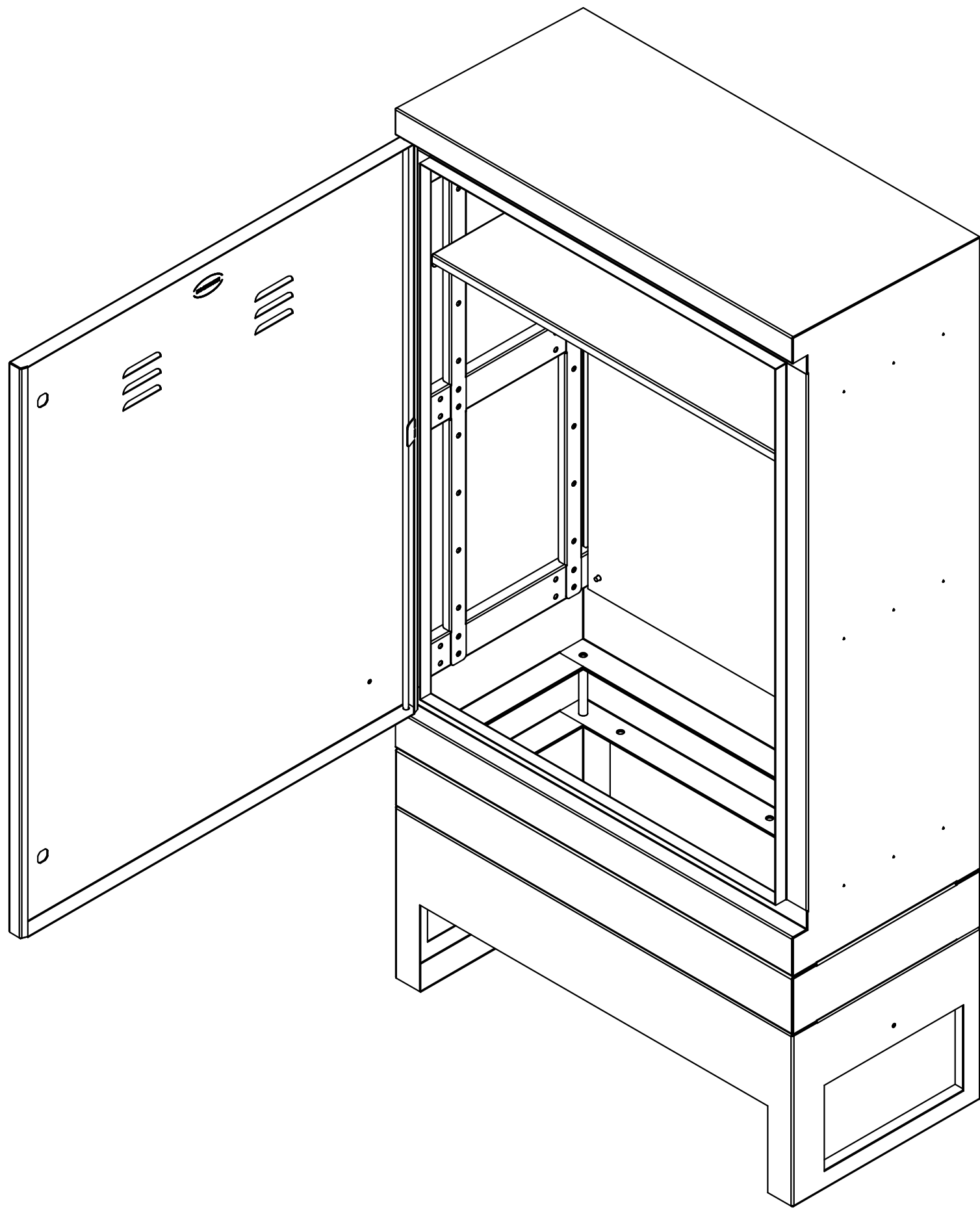
MATERIAL

Stainless Steel

FINISH

As Job Card

ISSUE	DATE	MOD. NO.	DRN



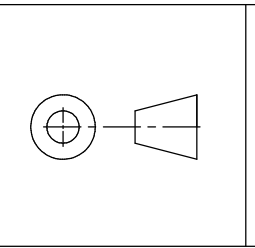
DRAWN	Josh Eastham	DATE	23 . 12 . 2015
CHECKED	Mark Blease	DATE	23 . 12 . 2015
APPROVED	Mark Blease	DATE	23 . 12 . 2015

ISSUE	DATE	MOD. NO.	DRN


 RITHERDON
 COPYRIGHT IS STRICTLY RESERVED

TOLERANCES
 WHOLE NUMBERS +/- 0.5
 1 DECIMAL PLACE +/- 0.2
 HOLES +/- 0.15
 UNLESS OTHERWISE STATED

ALL OUTSIDE SIZES



MATERIAL
 Stainless Steel

FINISH
 As Job Card

TITLE RB800 Passively Safe Cabinet GA			
SCALE	DRAWING NO.	[SHEET]	ISSUE
NTS	S 9560	2	-